

HORIZON-202 — panorama camera

This text is identical to the one in the Technical Description (User manual), English version, edition 1991. Only “Horizont” name replaced by “Horizon” there.

Attention!

Before using the camera, make thorough study of the present Description which contains handling rules and essential operating principles of the camera. Do not keep the camera with the shutter cocked for a long period of time since it is likely to impair the shutter operation.

Due to ever-advancing development in camera construction and appearance, minor differences may occur between the text and the camera you have purchased.

Since the camera is a complex instrument, its repair and adjustment should be performed in repair shops only.

The present Description can not be regarded as a hand-book on photography.

1. General notes

1.1. Purpose and Features

Horizon-202 is a special camera with a fixed built-in lens intended for taking various panorama pictures: reportings, landscapes, interiors, sports events, fashion, tourism, architecture, etc., both by the amateur and professional photographers. It can be used to take various pictures on black-and-white and color films.

Features of the HORIZON-202 camera:

— Shutter cocking lever with locking against half- and double-cocking and quite small angle of cocking (210°) for the given frame size makes for fast picture taking and improves camera performance.

— Metallic focal shutter with shutter speeds from $1/2$ to $1/250 \text{ s}^1$ enables to shoot in various conditions (indoors or outdoors at poor lighting); low temperatures (up to -15°C) practically do not impair shutter operation.

— Rotating lens, when shooting, ensures the necessary image quality all over the frame area due to eliminating of the inevitable optical distortion which occurs when taking pictures with wide-angle lenses.

— Frame counter, automatically re-setting to the initial position when reloading the film, releases the amateur from setting the counter to “0” manually.

— Optical viewfinder enables to determine the exact limits of the object to be photographed. Correct camera position (strictly horizontal) is controlled by the level seen in the viewfinder field of view.

— Film rewind crank and shutter disengaging button of stay-put type cut down the time necessary for preparation of the camera for shooting.

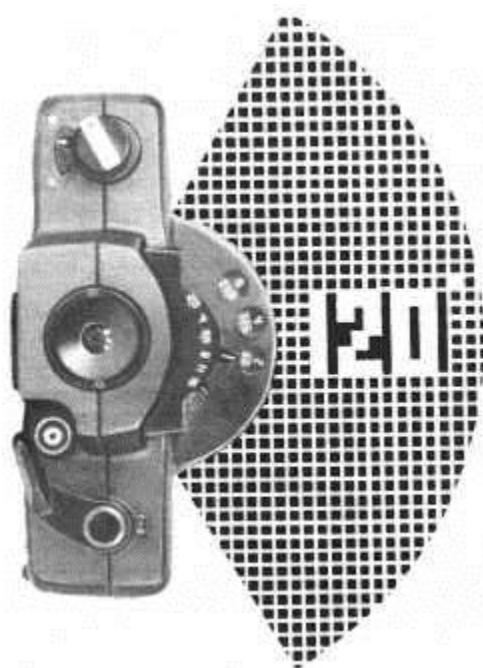
— Back door lock is interlocked with the film rewind crank which makes for simplified and fast film reloading.

1.2. Handling Rules

The camera is a precise optical-mechanical instrument. It should be handled carefully, kept clean and protected from jolts, dust, moisture and sharp temperature fluctuation.

Do not remove the camera from its case the moment it is brought indoors from cold to avoid sweating of its parts, especially optical ones.

Do not touch the surfaces of the optical parts with fingers since it may damage their coatings. Clean



¹ There were a few cameras variants with a different shutter speeds numbers, from 6 up to 8.

the coated optical surfaces with a clean soft cloth or cotton wool wad slightly moistened with rectified alcohol or ether.

Keep the camera closed in its case. Load and unload the camera indoors or in shade protecting it against direct sun light or bright artificial illumination. Always wind the shutter as far as it will go.

When taking pictures in frosty weather, it is better to keep the camera under your street-clothes and take it out only for the time of shooting.

2. Specifications

Frame size, mm — 24×58

Film used — 35mm, perforated

Length of film in cassette, m — 1,65

Number of frames — 22

Shutter speeds, s — 1/2 to 1/250

Eyepiece magnification — 0,4^x

Field of view — 110°×44°

Standard lens — OF-28P

Focal length, mm — 28

Maximum relative aperture — 1 : 2,8

Angular field of the lens — 120°×45°

Tripod bush thread — 1/4"

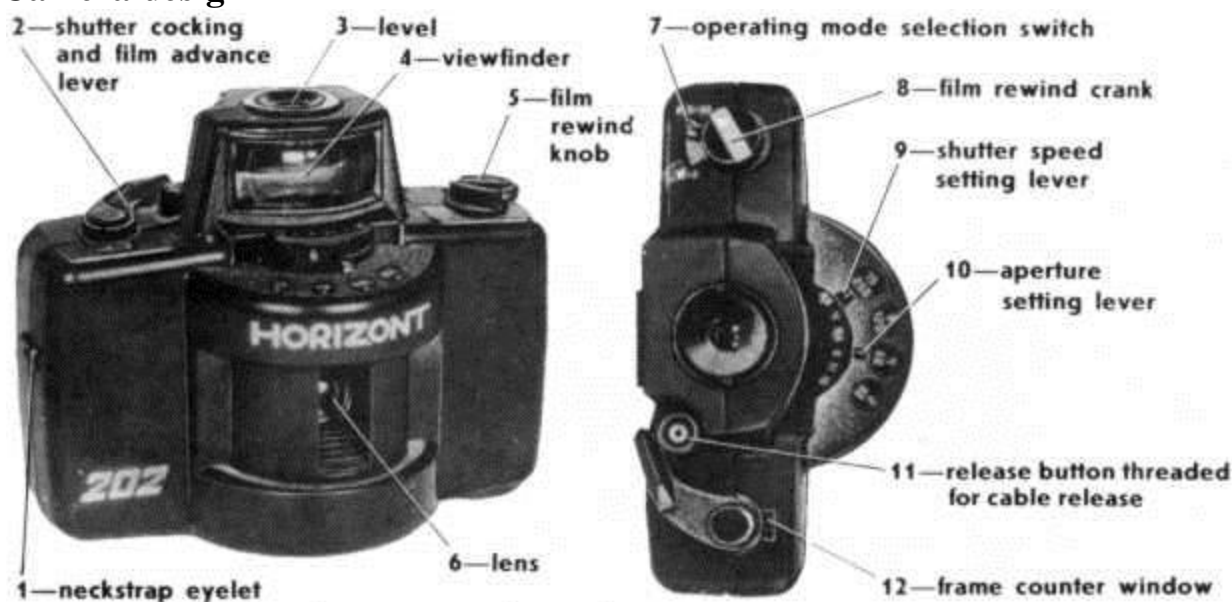
Level accuracy — 5°

Overall dimensions, mm — 117,5×146×73

Mass, kg — 0,9

Certificates of authorship: № 217205, № 189292.

3. Camera design



1 — neckstrap eyelet;

2 — shutter cocking and film advance lever;

3 — level;

4 — viewfinder;

5 — film rewind knob;

6 — lens;

7 — operating mode selection switch;

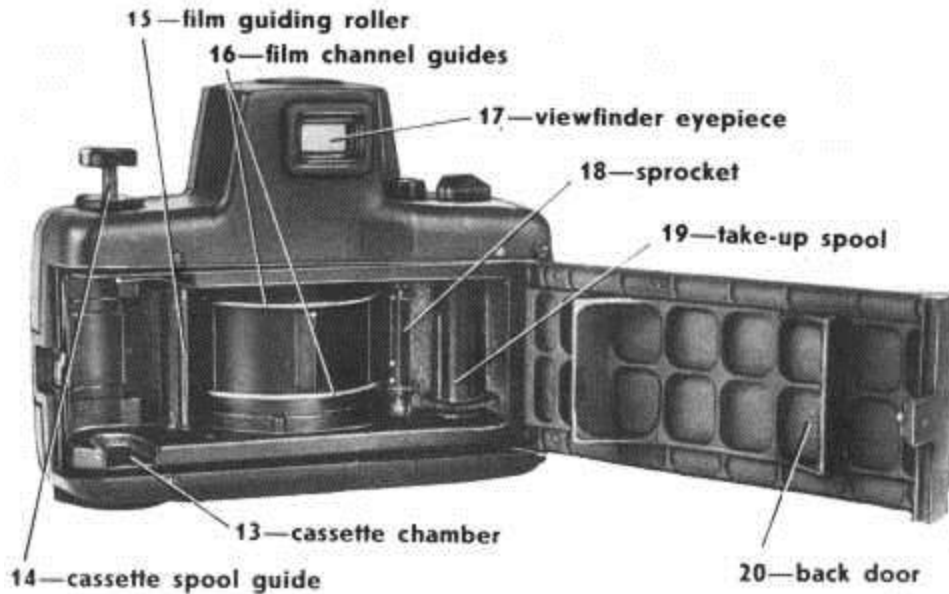
8 — film rewind crank;

9 — shutter speed setting lever;

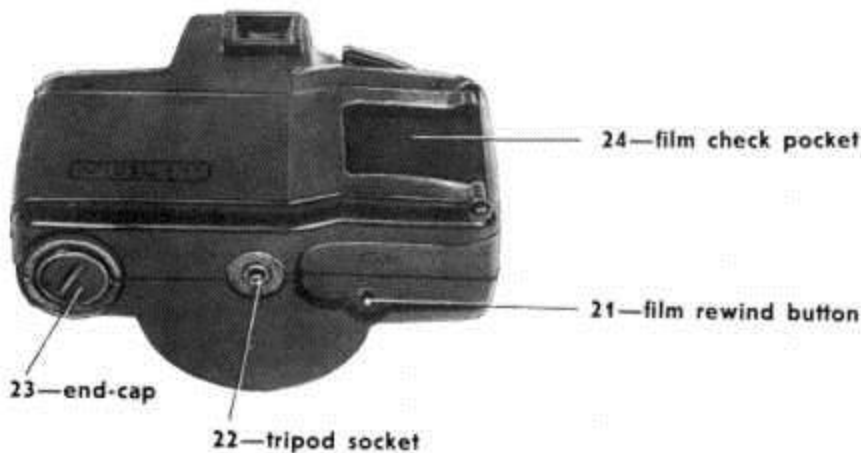
10 — aperture setting lever;

11 — release button threaded for cable release;

12 — frame counter window;



- | | |
|----------------------------|---------------------------|
| 13 — cassette chamber; | 17 — viewfinder eyepiece; |
| 14 — cassette spool guide; | 18 — sprocket; |
| 15 — film guiding roller; | 19 — take-up spool; |
| 16 — film channel guides; | 20 — back door; |

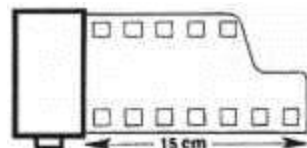


- | |
|--------------------------|
| 21 — film rewind button; |
| 22 — tripod socket; |
| 23 — end-cap; |
| 24 — film check pocket. |

4. Operating procedure

4.1. Loading the Camera

The camera accepts standard cassettes loaded with any type of 35mm film. If you load the cassette with film on your own, be sure to properly secure the film end in the cassette spool to prevent it breaking away from the spool during operation. See to it that the film leader is free from bends and folds and cut to the standard form.



The camera loading should not be done in direct sun light.

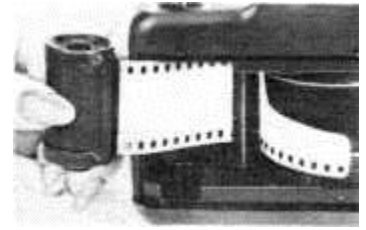
Load the camera in the following way:

— Flip open film rewind crank 8 and holding it, pull out rewind knob 5 as far as it will go. Holding the film rewind knob in this position, open back door 20 with your second hand.

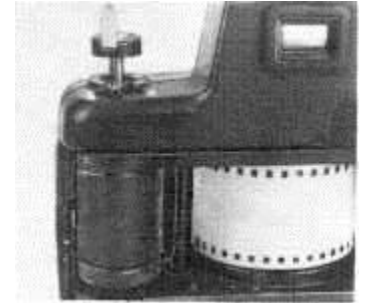


— Carefully insert the film leader under guiding roller 15 and draw out the film by about 12–15cm.

— Put a loaded cassette into socket 13 pulling out the rewind knob as far as it will go.



— Return the film rewind knob completely home slightly turning it to let spool guide 14 enter the cassette.



— Pass the film leader under sprocket 18 so that it appears from under take-up spool 19. To make this process easier rotate the sprocket with your fingers with button 21 pressed down.

— Insert the film leader into the slot of the take-up spool and draw the film back on to the film gate. Make sure that the sprocket tooth engage a film perforation hole. Reel the appear loop on the take-up spool rotating shutter cocking lever 2. The film should be paced on film channel guides 16 without skewing.

— Close the back door 20 tightly pressing it to make the lock latch. Cock and fire the shutter.

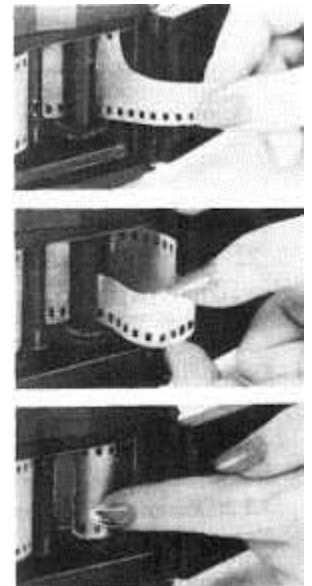
— To transport a nonexposed portion of film to the film gate, cock and fire the shutter once again. When cocking the shutter for the second time the frame counter should be set at “1”, the latter being positioned approximately in the center of exposure counter window 12. Now you are ready to shoot.

The shutter is cocked by turning smoothly lever 2 counter-clockwise to its fullest extent and released by pressing release button 11. Should the film be wound tightly in the cassette, the film rewind knob will rotate when the shutter is being cocked.

If the film is loose in the cassette, the rewind knob will fail to rotate at the first frames.

Automatic frame counter shows the number of the frame being positioned against the film gate.

Put the film box label with film speed indicated on it, into film check pocket 24.



4.2. Operating Mode Setting

4.2.1. Shutter Speed Setting

Turn operating mode selection switch 7 to set the required shutter speed range from 2 to 15 or 30 to 250. Set lever 9 against the required shutter speed value.

Each position of the lever is click-stopped.

4.2.2. Aperture setting

Set aperture setting lever 10 opposite to the required aperture value. Each position of the lever is click-stopped.

At exposure determining to obtain pictures of higher quality the aperture should be smaller and shutter speed longer. Shutter speed and aperture should be set only with the shutter cocked.

4.2.3. Depth of field of the lens

The OF-28P fixed built-in lens has no distance scale.

To determine the depth of field, make use of the table set forth below. For example, with aperture set at 8, the depth of field will be from 2 m to infinity.

4.2.4. Depth of Field Table for the HORIZON-202 Camera Lens

Aperture	Depth of field, m
2,8	5,5-∞
4	3,9-∞
5,6	2,9-∞
8	2-∞
11	1,5-∞
16	1-∞

4.3. Picture Taking

Cock the shutter.

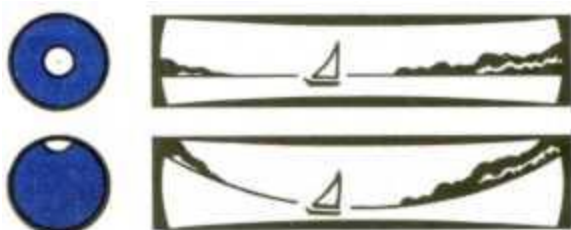
When shooting hold the camera in the way shown in the picture.

Be sure that the frame is not blocked by your fingers.

Aim the camera at the object to be photographed and looking through the viewfinder determine its limits.

Camera horizontal portion is adjusted by lever 3.

At correct camera position which prevents a perspective distorted picture, the level ball should be in the center of the light circle seen in the viewfinder field of view.



For vertical shorts no level is used. Having prepare the camera for shooting press the release button as far as it will go to take a picture.

REMEMBER, that sharp pressing on the release button results in camera shake at the moment of exposure and thus in blur of the picture.

To take picture with longer exposures than 1/30 s the shutter is better released with the help of a cable release which is screwed into the release button socket.

You can as well make use of a tripod having removed the handle beforehand.

4.5. Mounting the Handle

Take the handle out of the case. Remove the end-cap 23 from the camera locating hole. To do this take a pressure on the end-cap with your thumb and turn it in either sides till it comes out of the camera.

Put the handle in the hole and pressing it to the camera turn it in either direction to a click-stop.

At correct mounting of the handle the key down should be on the outer side of the camera. To remove the handle from the camers press the key down to a stop and turn the handle till it comes out of the camera.

4.6. Camera Unloading

When the exposure counter shows figure 22, the film should be rewound back into the cassette and the camera unloaded. To do this:

— Press button 21 on the camera bottom.

— Flip open crank 8 and rotate it in the arrow direction till the film leader leaves the take-up spool. Try to rotate the crank smoothly, without jerks and not too fast to avoid traces of static electricity on film.

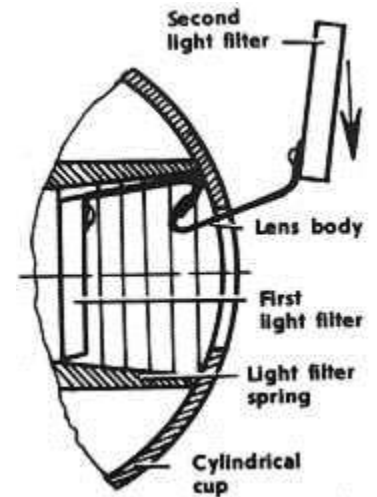
— Pull film rewind knob 5 all the way out; open the back door. Remove the cassette, holding the film rewind knob.

If necessary, the camera can be unloaded after exposing any number of frames, having rewound the film into the cassette beforehand.

4.7. Mounting the Light Filters

Mount the light filter on the camera. To do this, with the help of the shutter cocking lever, align the lens axis with the film gate center in body. Through the cylindrical cup window put the light filter mount into the lens body socket. In so doing, press the light filter spring and put it behind the cup window (see the diagram).

To remove the light filter, take the second one delivered with camera, and coupling the hooks, slightly draw the light filter in the direction indicated by an arrow in the above mentioned diaphragm.



Second light filter — Lens body — First light filter — Light filter spring — Cylindrical cup

